



BROTHERS^R
PHARMAMACH (INDIA) PVT. LTD.

Washing and Air Jet Cleaning Machines

AIRWASH-100-UN Automatic Four Head Air Jet Cleaning Machine with Bottle Unscrambler

The Automatic Four Head Air Jet Cleaning Machine with built in Bottle Unscrambler Model AIRWASH-100-UN with speed of Max. 100 bottles per minute.

The AirJet Cleaning Machine transfer bottles directly from the Unscrambler to the machine conveyor for uninterrupted supply of bottles in vertical condition to the cleaning point. Machine applies Compressed Air through Jets and also sucks through Vacuum to complete the cleaning process. Machine can be used to clean Plastic or PET Bottles, Jars etc. Machine suitable for cleaning of non-sterile products like Dry Syrups, and Bulk Packing of Tablets and Capsules.

Machine in Stainless Steel Finish with all contact parts in Ss316 and Nylon Materials. Machine also having overload clutch system to prevent jamming during the operation. The manifold comprises of inner nozzles which jets compressed air in the bottle and an outer socket, which cover the mouth of the bottle and is connected to an exhaust, ensures perfect cleaning.

Machine in Stainless Steel Finish with all contact parts in Ss304 or Nylon Materials. Machine also having overload clutch system to prevent jamming during the operation.



SPECIAL FEATURES :

- No Container - No Air - No Vacuum System
- Built in Unscrambler for uninterrupted bottle feeding
- Four Air Jet Nozzle with Vacuum Mouth Holder for Cleaning
- Fully Stainless Steel Finish
- Simple Change over for different size - Only Mouth Holder required
- Complete operation in Vertical position
- Overload Clutch for Jamming
- Optional A.C. Variable Frequency Drive System.
- Automatic Infeed and Outfeed of containers
- Intermittent Linear Motion of Machine

TECHNICAL SPECIFICATIONS

Product Diameter : Upto 60 mm*

Product Height : 150 mm*

Electrical : 415VAC Three Phase Power Supply (50 Hz) and 220 VAC 1 Phase Power Supply

Power : 3.0 H.P.

Compressed Air Consumption : 100cfm to be provided by customer

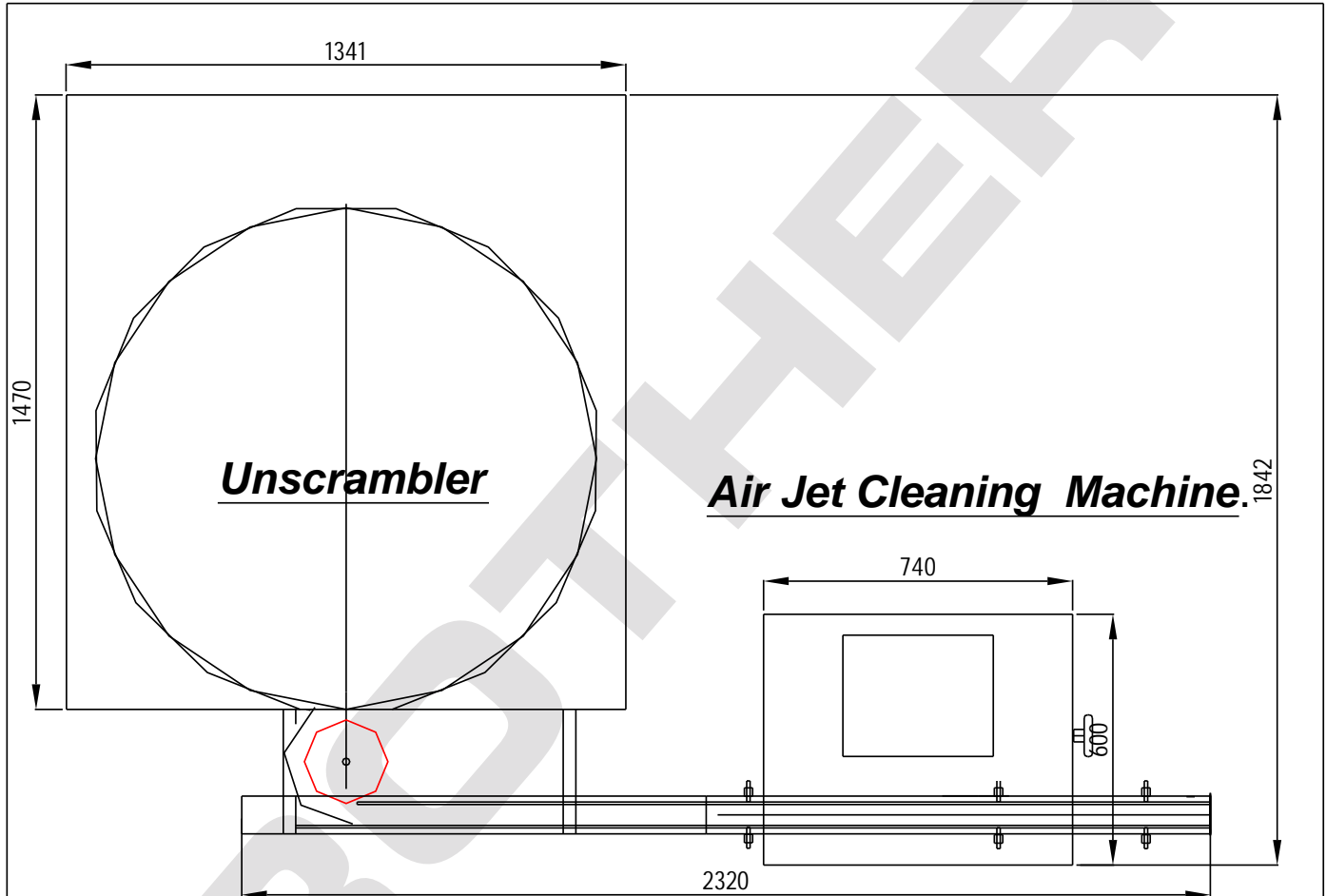
Vacuum Pump/Line : 300 Ltr. Capacity to be provided by customer

Speed : Upto 100 per minute depending on bottle size

Conveyor Height : 875 to 950 mm Adjustable

Overall Dimensions : 3000 mm (L) x 2000 mm (W) x 1300 mm (H)

* Specification can be changed as per customers requirements



Dimensions in MM

Right of technical improvements and modifications reserved.
All illustrations and dimensions are shown for information only



BROTHERS
PHARMAMACH (INDIA) PVT. LTD.
brothers@usa.net

M/C MODEL AIRWASH-100 UN Four Head Bottle Air Jet Cleaning with Unscrambler

D.NO.

SPEED : Max. 100 BPM DEPENDING ON Bottle size and neck diameter

P.NO.



BROTHERS PHARMAMACH (INDIA) PVT. LTD.

Plot No.2, Phase II, GIDC, Vatva, Ahmedabad 382445. INDIA

Phone : +91 79 40213213, 25831346 Fax: +91 79 40213220

+91 9825037971, 9825006052

Email : sales@brothers.in mevada@usa.net website : www.brothers.in