



**BROTHERS**<sup>R</sup>  
PHARMAMACH (INDIA) PVT. LTD.

## Washing and Air Jet Cleaning Machines

### AIRWASH-100 Automatic Four Head Air Jet Cleaning Machine

The Automatic Four Head Air Jet Cleaning Machine Model AIRWASH-100 with speed of Max. 100 bottles per minute.

The AirJet Cleaning Machine applies Compressed Air through Jets and also sucks through Vacuum. Machine can be used to clean Glass/Plastic/PET Bottles, Jars etc. Machine suitable for cleaning of non-sterile products like Dry Syrups, and Bulk Packing of Tablets and Capsules.

Machine with built-in Turn Table which feeds container in vertical position through conveyor to cleaning station, where cleaning heads grip the container through cup holder and starts the Compressed Air and then Vacuum to clean the bottles.

Machine in Stainless Steel Finish with all contact parts in SS316 and Nylon Materials. Machine also having overload clutch system to prevent jamming during the operation. The manifold comprises of inner nozzles which jets compressed air in the bottle and an outer socket, which cover the mouth of the bottle and is connected to an exhaust, ensures perfect cleaning.



### **SPECIAL FEATURES :**

- No Container - No Air - No Vacuum System
- Four Air Jet Nozzle with Vacuum Mouth Holder for Cleaning
- Fully Stainless Steel Finish
- Simple Change over for different size - Only Mouth Holder required
- Complete operation in Vertical position
- Overload Clutch for Jamming
- Optional A.C. Variable Frequency Drive System.
- Automatic Infeed and Outfeed of containers
- Intermittent Linear Motion of Machine

## TECHNICAL SPECIFICATIONS

Product Diameter : Upto 90 mm\*

Product Height : 150 mm\*

Electrical : 415VAC Three Phase Power Supply (50 Hz) and 220 VAC 1 Phase Power Supply  
Power : 2.0 H.P.

Compressed Air Consumption : 80cfm to be provided by customer

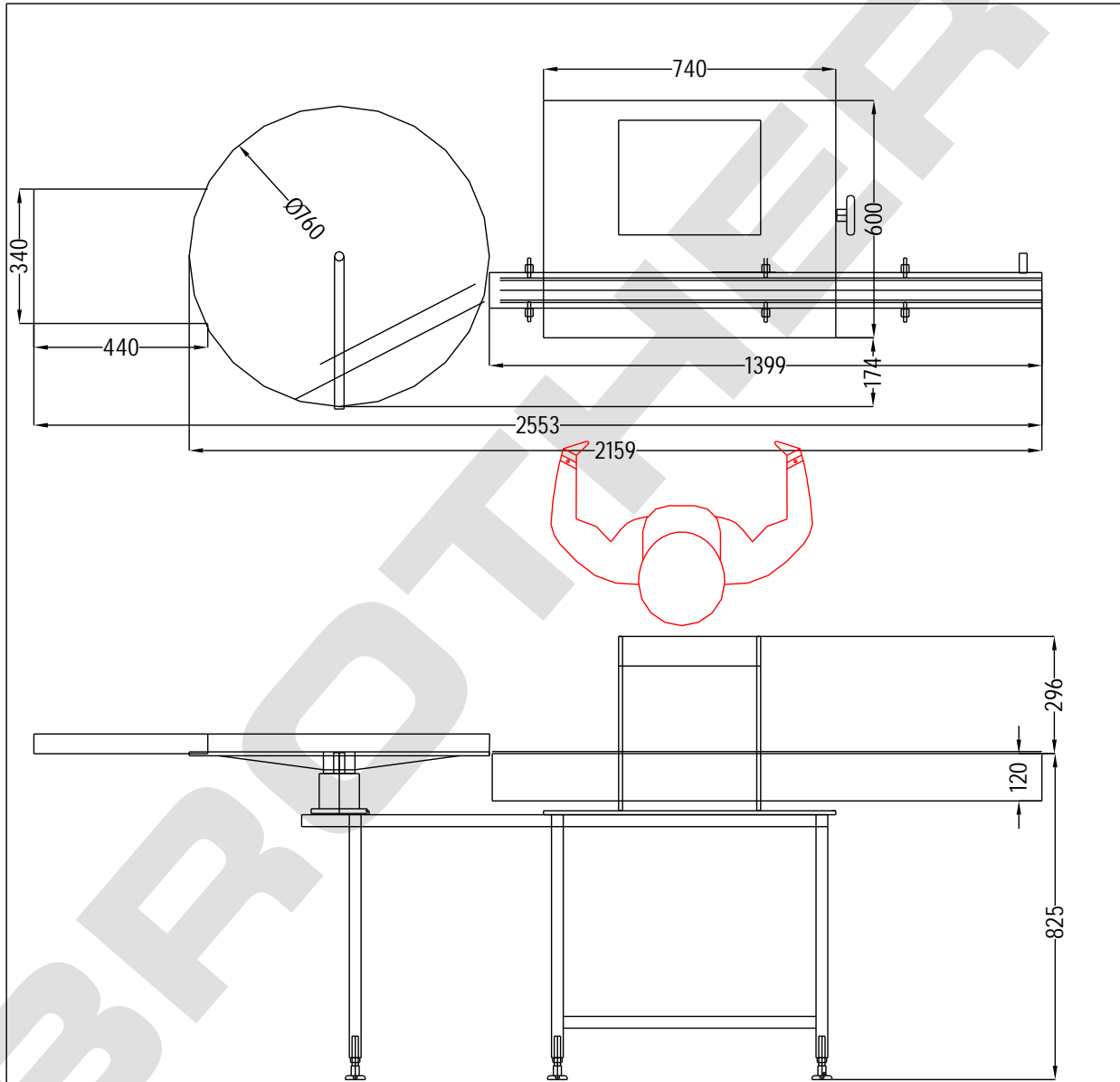
Vacuum Pump/Line : 300 Ltr. Capacity to be provided by customer

Speed : Upto 100 per minute depending on bottle size

Conveyor Height : 875 to 950 mm Adjustable

Overall Dimensions : 2600 mm (L) x 780 mm (W) x 1300 mm (H)

\* Specification can be changed as per customers requirements



Dimensions in MM

Right of technical improvements and modifications reserved.  
All illustrations and dimensions are shown for information only



**BROTHERS**  
PHARMAMACH (INDIA) PVT. LTD.  
brothers@usa.net

M/C MODEL AIRWASH-100 Four Head Air Jet Cleaning Machine

SPEED : Max. 100 BPM DEPENDING ON Bottle Size



**BROTHERS PHARMAMACH (INDIA) PVT. LTD.**

Plot No.2, Phase II, GIDC, Vatva, Ahmedabad 382445. INDIA

Phone : +91 79 40213213, 25831346 Fax: +91 79 40213220

+91 9825037971, 9825006052

Email : sales@brothers.in mevada@usa.net website : www.brothers.in