



BROTHERS[®]
PHARMAMACH (INDIA) PVT. LTD.

Washing and Air Jet Cleaning Machines

AIRWASH-220/200 Automatic Twelve/Eight Head Twin Track Air Jet Cleaning Machine

The Automatic Twelve/Eight Head Twin Track Air Jet Cleaning Machine Model AIRWASH-220/200 with speed of Max. 220/200 bottles per minute depending on Bottle Diameter, Height and Bottle Neck Diameter.

Machine with specially designed Twin Track Bottle Movement System producing higher output by handling linear bottle movement at lower speed resulting in smoother movement of bottle. Twin track system is ideal for handling bottles at lower speed but giving higher output where the linear movement of bottle is not easy at higher speed due to lesser diameter and more height of bottles. The AirJet Cleaning Machine applies Compressed Air through Jets and also sucks thorough Vacuum. Machine can be used to clean Glass/Plastic/PET Bottles, Jars etc. Machine suitable for cleaning of non-sterile products like Dry Syrups, and Bulk Packing of Tablets and Capsules.

Machine with built-in Turn Table which feeds container in vertical position and deliver to both the track of machine conveyor. Further bottles move towards cleaning station, where cleaning heads grip the container through cup holder and starts the Compressed Air and then Vacuum to clean the bottles.

Machine in Stainless Steel Finish with all contact parts in Ss316 and Nylon Materials. Machine also having overload clutch system to prevent jamming during the operation. The manifold comprises of inner nozzles which jets compressed air in the bottle and an outer socket, which cover the mouth of the bottle and is connected to an exhaust, ensures perfect cleaning.



SPECIAL FEATURES :

- No Container - No Air - No Vacuum System
- Twin Track Bottle movement for higher output at lower running speed
- Twelve Air Jet Nozzle with Vacuum Mouth Holder for Cleaning
- Fully Stainless Steel Finish
- Simple Change over for different size - Only Mouth Holder required
- Complete operation in Vertical position
- Overload Clutch for Jamming
- Optional A.C. Variable Frequency Drive System.
- Automatic Infeed and Outfeed of containers
- Intermittent Linear Motion of Machine

TECHNICAL SPECIFICATIONS

Product Diameter : Upto 90 mm*

Product Height : 150 mm*

Electrical : 415VAC Three Phase Power Supply (50 Hz) and 220 VAC 1 Phase Power Supply

Power : 4.0 H.P.

Compressed Air Consumption : 120cfm to be provided by customer

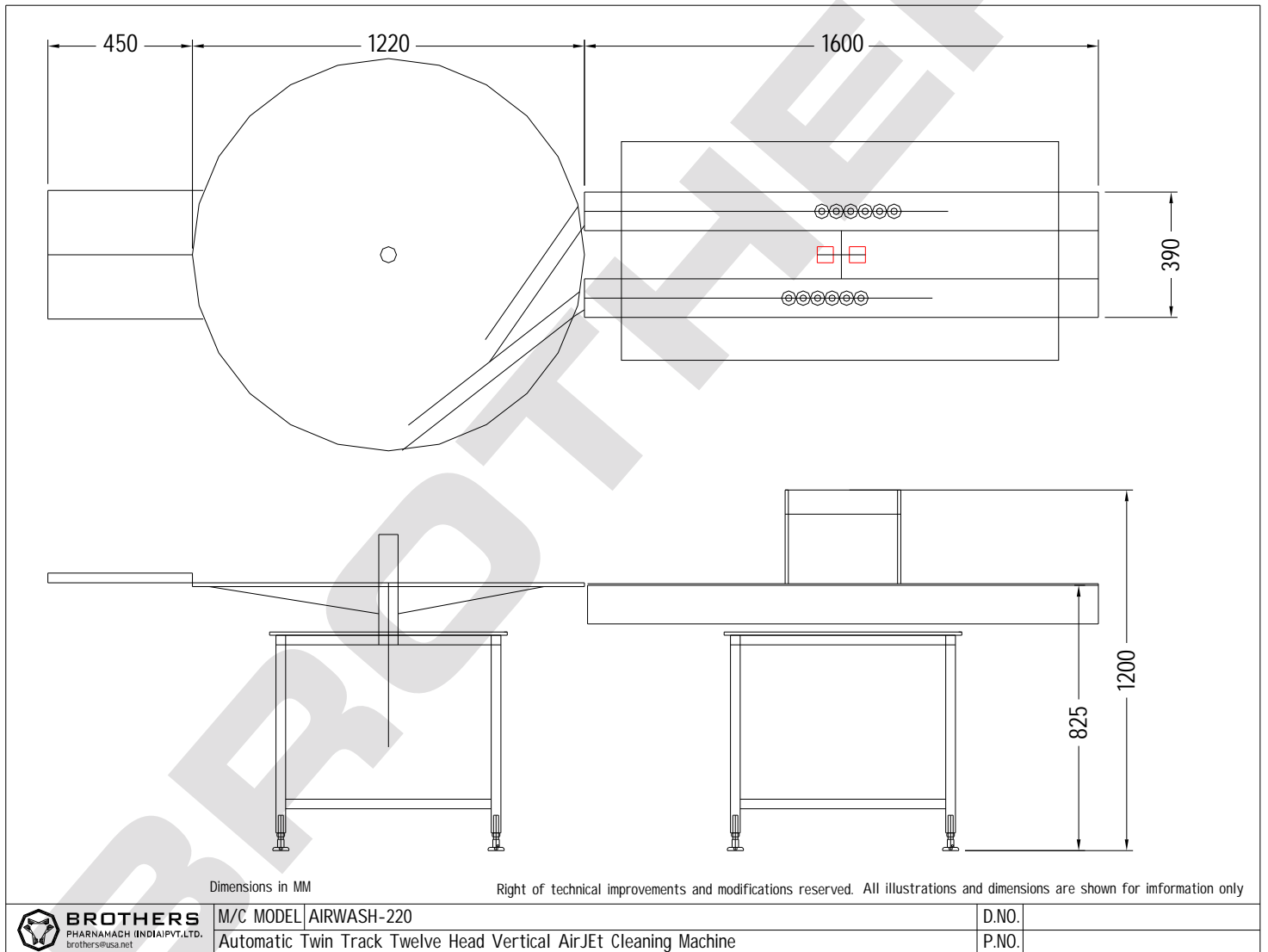
Vacuum Pump/Line : 2nos. 300 Ltr. Capacity to be provided by customer

Speed : Upto 220 per minute depending on bottle size

Conveyor Height : 875 to 950 mm Adjustable

Overall Dimensions : 3300 mm (L) x 1300 mm (W) x 1300 mm (H)

* Specification can be changed as per customers requirements



BROTHERS PHARMAMACH (INDIA) PVT. LTD.

Plot No.2, Phase II, GIDC, Vatva, Ahmedabad 382445. INDIA
 Phone : +91 79 40213213, 25831346 Fax: +91 79 40213220
 +91 9825037971, 9825006052

Email : sales@brothers.in mevada@usa.net website : www.brothers.in