



**BROTHERS**<sup>R</sup>  
PHARMAMACH (INDIA) PVT. LTD.

## Washing and Air Jet Cleaning Machines

### VIALWASH-120 Automatic Linear Tunnel type VIAL Washing Machine

The Automatic Linear Tunnel type Vial Washing Machine Model VIALWASH-120 is suitable for Round Vials sizes of appx. 5 ml to 30 ml pack size with maximum speed of 120 Vials per minute, Specially designed machine also available for 2 ml Vial Size. Machine construction is in Stainless Steel finish including frame structure. All parts coming in contact with Washing Zone and Jets are made from SS-316 Materials. Intermittent handling of Vials ensures the maximum time for washing and also saves the Water through No Container - No Water system. Machine also offers various customised options for washing sequence as per customers requirements. Washing process takes place with Five different Washing Zones each with 10 nozzles for optimum washing. Machine also equipped with external washing of Bottles.



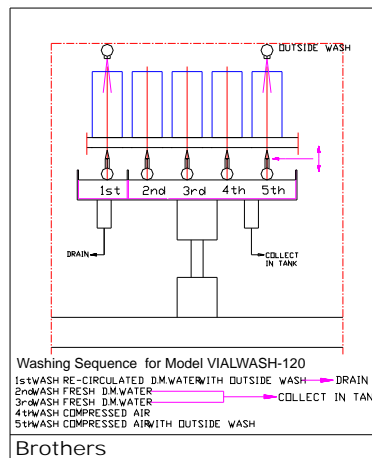
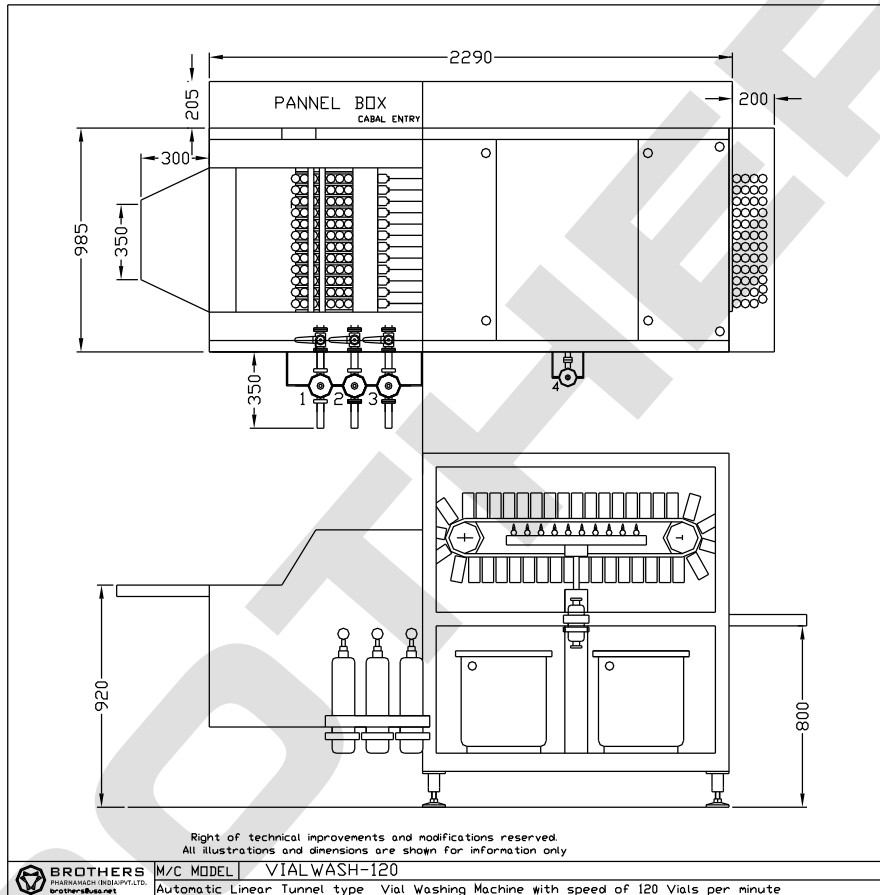
#### SPECIAL FEATURES :

- 50 Jets for 5 washing zones
- All contact parts made of SS-316 material
- Machine construction in SS-304 material
- Suitable for 5 ml to 30 ml Vial Size\*
- Washing sequence can be made as per customers requirements.
- Built-in 2 Pumps and 2 Tanks
- Each washing zone with independent circuit to avoid contamination
- Automatic In-feed and Exit of Vials

## TECHNICAL SPECIFICATIONS

Suitable for : 5 ml to 30 ml Vials  
 Air Consumption : 12 to 15 CFM  
 Water Consumption : 450 to 650 Litre per hour  
 Washing Zone: Five zone can be set as per required sequence  
 Water Tank : 2 nos. Each with 50 Ltrs. Capacity  
 Vial Diameter : 20 mm to 32 mm\*  
 Electric Supply : 220 VAC Single Phase Power Supply (50/60 Hz)  
 Power : 4.0 H.P.  
 Speed : Max. 90 to 120 Vials per minute depending on Vial Size  
 Conveyor Height : 815 to 940 mm  
 Overall Dimensions : 2800 mm (L) x 1675 mm (W) x 1675 mm (H)

\* Specification can be changed as per customers requirements



**BROTHERS PHARMAMACH (INDIA) PVT. LTD.**

Plot No.2, Phase II, GIDC, Vatva, Ahmedabad 382445. INDIA  
 Phone : +91 79 40213213, 25831346 Fax: +91 79 40213220  
 +91 9825037971, 9825006052

Email : sales@brothers.in mevada@usa.net website : www.brothers.in